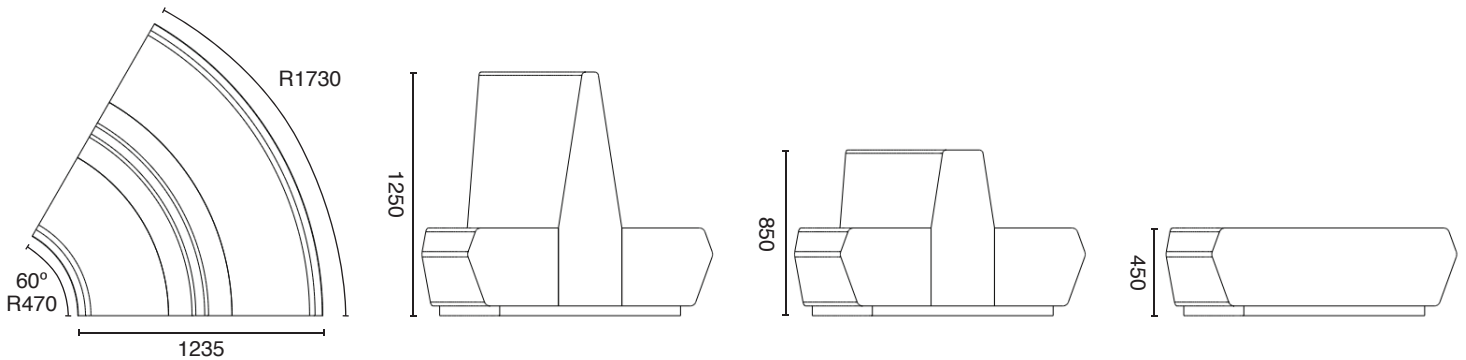




Designers Institute of New Zealand
Best Design Awards 2010



Realm Seating - Double Sided Designed by Fletcher Vaughan ©

Another hybrid of the successful modular Landscape ranges, Realm consists of three components, high and low back double sided segment and ottoman (no back). By duplicating and grouping the segments seating plans with a sculptural aesthetic can be created. Ideal for high traffic commercial environments such as stand alone café/restaurants seating and public spaces.

Table size - 1150 diameter x 730 high

Construction: quality foams over a sturdy pine frame.

NOTE: Fabric with stretch and memory is required for this design.

Fabric with a linear stripe or pattern is not suitable for this design.

Fabric Recommendations:

Vivid – Feel & Sense

Textilia – Blazer, Chass & Hemp

Warwick – Cumulus & Amatheon

Due to the nature of upholstery measurements may vary marginally.

CAD file available on request.



Fletcher Systems

