



## Field Modular Seating Designed by Fletcher Vaughan ©

Field is a new furniture system by Fletcher Vaughan, the design consists of 3 base sizes; these platforms can be configured with a number seating and screen elements. Field modules can be individually arranged or grouped to provide numerous seating solutions for office breakout, reception, foyer and wait seating.

**Optional Extras:** Clip on screens, Buttons

**NOTE:** Field is not suitable for high traffic environments such as malls and airports. Fabric with stretch and memory is required for this design.

Fabric Recommendations:

Vivid – Feel & Sense

Textilia – Blazer, Chass & Hemp

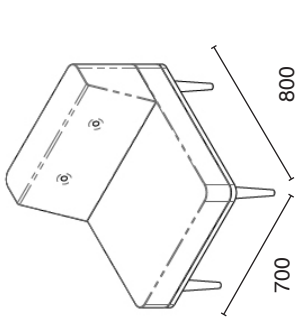
Warwick – Cumulus & Augustus

Due to the nature of upholstery measurements may vary marginally.  
CAD files available on request.

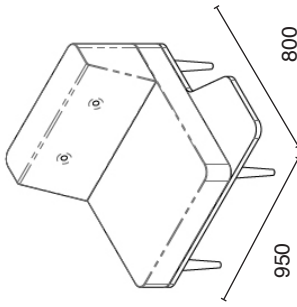


**Fletcher Systems**

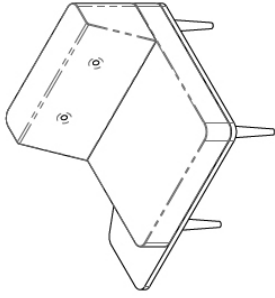
Chair



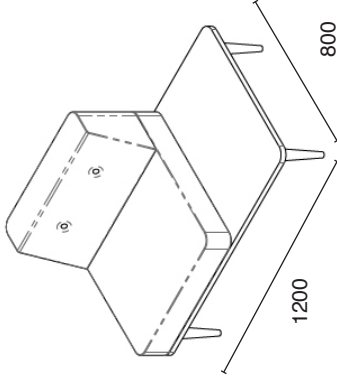
Chair with right side table



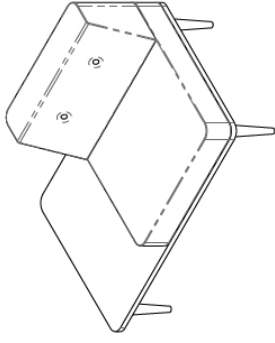
Chair with left side table



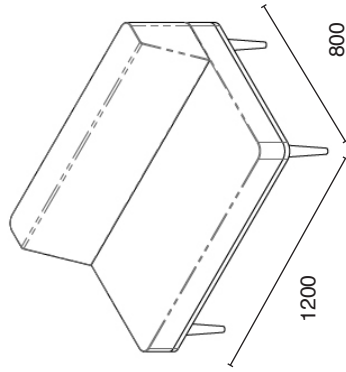
Chair with right table



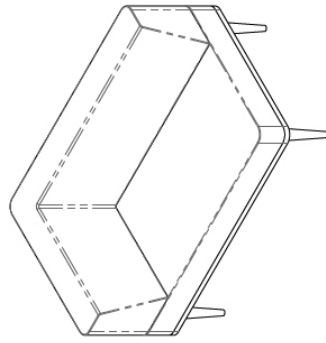
Chair with left table



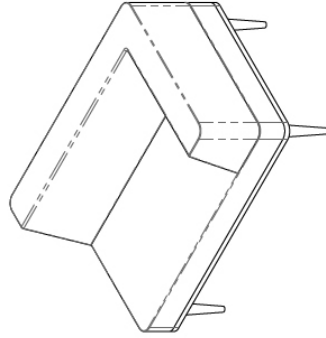
Sofa



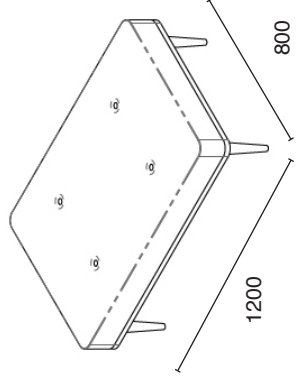
Corner Sofa left



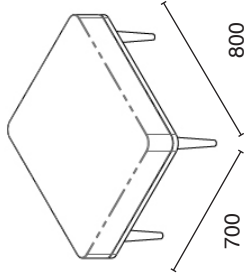
Corner Sofa right



Large Ottoman

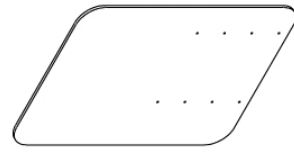


Small Ottoman



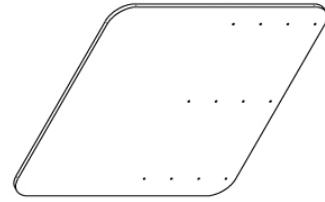
Small Screen

For back of chairs and side of corner sofas

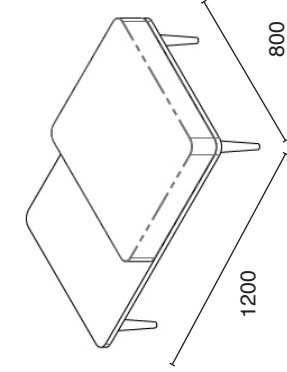


Large Screen

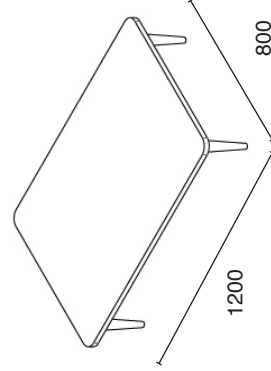
For back of sofas



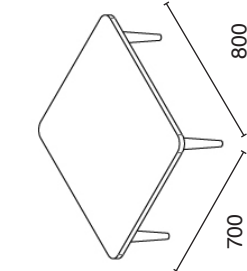
Ottoman with table



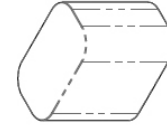
Large Coffee table



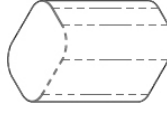
Small Coffee table



Stool/Table 450H



Stool/Table 650H



## Field Modules

[www.fletcher-systems.co.nz](http://www.fletcher-systems.co.nz)

[info@fletcher-systems.co.nz](mailto:info@fletcher-systems.co.nz)

+64 9 849 3849

If you are thinking about copying this design, don't, it's not yours, it belongs to Fletcher-Vaughan (Jamie McLellan or Stephanie Donaid) and is copyright protected.



Fletcher Systems